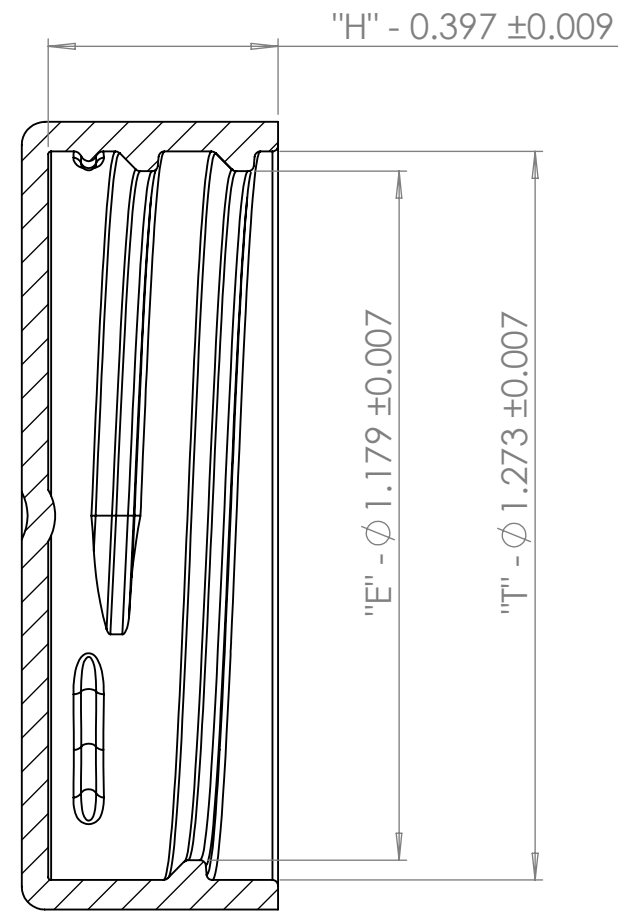
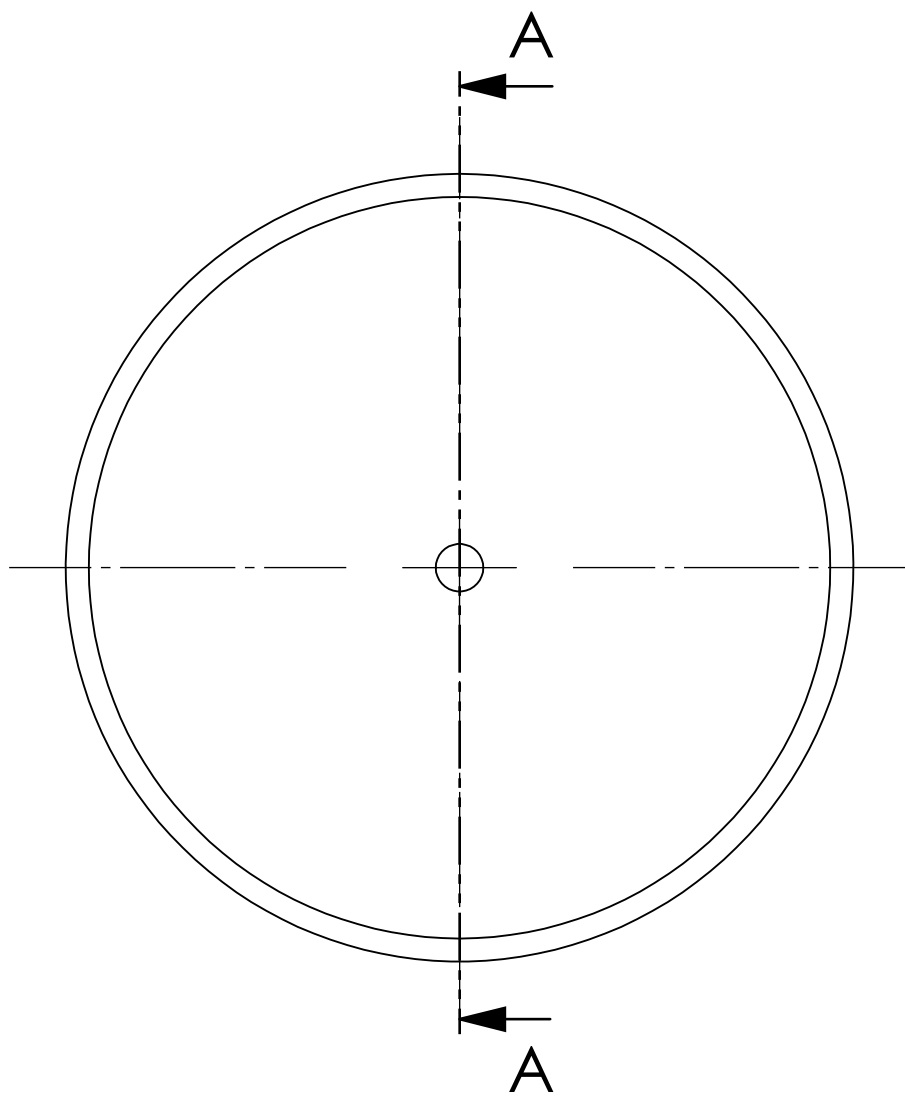


4

3

2

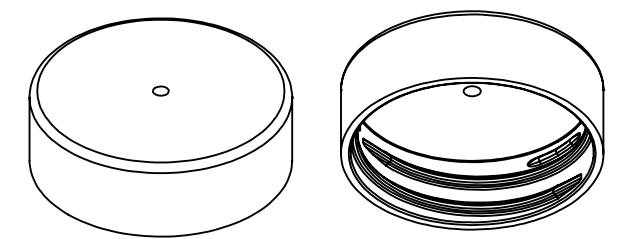
1



SECTION A-A



- NOTE(S):
1. THREAD FORM - 33-400
 2. PITCH - 0.167" (6 T.P.I.)
 3. THREAD TURNS - 1.25



PROPRIETARY AND CONFIDENTIAL
 THE INFORMATION CONTAINED IN THIS DRAWING IS THE SOLE PROPERTY OF PHARMACY-LITE. ANY REPRODUCTION IN PART OR AS A WHOLE WITHOUT THE WRITTEN PERMISSION OF PHARMACY-LITE IS PROHIBITED.

| | | | | | |
|-----------|---------|--------------------------------------|--|-----------|-------------|
| | | UNLESS OTHERWISE SPECIFIED: | | NAME | DATE |
| | | DIMENSIONS ARE IN INCHES | | DRAWN | BC 11/12/25 |
| | | TOLERANCES: | | CHECKED | |
| | | FRACTIONAL ± 1/32 | | ENG APPR. | |
| | | ANGULAR: MACH ± 0.1° | | MFG APPR. | |
| | | BEND ± 2.5° | | Q.A. | |
| | | TWO PLACE DECIMAL ± 0.015 | | COMMENTS: | |
| | | THREE PLACE DECIMAL ± 0.005 | | | |
| | | INTERPRET GEOMETRIC TOLERANCING PER: | | | |
| | | MATERIAL | | | |
| | | POLYPROPYLENE | | | |
| | | FINISH | | | |
| NEXT ASSY | USED ON | APPLICATION | | | |
| | | DO NOT SCALE DRAWING | | | |

| | | |
|---|--------------------------|--------------|
| PAC-LITE | | |
| 250 Warden Ave., Elyria, OH 44035 844-527-5483 | | |
| TITLE: 33mm-EZ NCR (SMOOTH) CAP | | |
| SIZE | DWG. NO. | REV |
| C | EZ-33S NCR/P000CD | 1 |
| SCALE: 3:1 | WEIGHT: | SHEET 1 OF 1 |

4

3

2

1

D

D

C

C

B

B

A

A